



CITY OF PLACERVILLE, CALIFORNIA

DEVELOPMENT SERVICES DEPARTMENT ENGINEERING DIVISION

MADRONE AND GIOVANNI SEWER LIFT STATIONS REHABILITATION PROJECT CITY PROJECT No. 40330

ADDENDUM No. 4
October 3, 2017

This addendum shall become a part of the Contract Documents (Proposal, Measurement and Payment, Plans, and Pothole Data) and modify them as stated below. The Bidder shall acknowledge receipt of the addendum on Page 4 of the Proposal.

The Contract Documents have been modified as follows:

CHANGES AND/OR CLARIFICATIONS TO THE NOTICE TO BIDDERS:

1. Bid Opening for this project is **rescheduled to Thursday, October 12, 2017 at 2 pm.**

PLANS

The following Plan Sheets have been revised and are attached. A brief description of the major changes made on each sheet is provided below.

1. Sheet E7 – Typical Electrical Detail No. 2
 - a. Revised meter main installation, Detail “A”.

BIDDER QUESTIONS RECEIVED:

1. Sheet 8 12 note 7 regarding the new meter main that is being installed directs us to sheet E7 detail A. This detail indicates a meter main being attached to another panel. The meter main at Giovanni Lift Station seems to be stand alone. Please provide a detail for this installation.
 - a. See attached revised meter main installation detail “A” on Contract Drawing E7.
2. At Giovanni the plans call for EYS fittings where the conduits enter the wet well. The conduits are entering below grade and the EYS fittings need to be accessible. Is it acceptable to install two non-traffic rated Christy boxes outside the wet well to house the EYS fittings?
 - a. Conduits to/from wet well shall be routed through Pump Cable Box shown on Contract Drawing E7, Detail “B”. Pump Cable Box may be installed on the north side of the Pedestal, next to the relocated Area Light. Coordinate with Construction Manager for final location.
3. Sheet E7 detail H does not provide a depth for the removable bollard footings. Please provide a depth.
 - a. Sheet E7, detail “H”, removable bollard shall have a 3 foot depth.

4. Sheet 3 the site demo plan seems to indicate the area light at Giovanni to be existing to be relocated. Sheet 12 has a reference of area light per sheet 7 detail D. Sheet 7 detail D indicates a new light. Is the light at Giovanni new or existing to be relocated?
 - a. Area light on Giovanni shall be relocated, not new.

5. Sheet E22 note 7 regarding the new meter main that is being installed directs us to sheet E7 detail A. This detail indicates a meter main being attached to another panel. The meter main at Madrone Lift Station seems to be stand alone. Please provide a detail for this installation.
 - a. See attached revised meter main installation detail "A" on Contract Drawing E7.

6. The control panel shown as typical on sheet 5 does not seem to match either of the control panels shown on the electrical drawings. Please clarify.
 - a. Conduits to/from wet well shall be routed through Pump Cable Box shown on Contract Drawing E7, Detail "B". Pump Cable Box may be installed on the north side of the wet well. Coordinate with Construction Manager for final location.

7. The pump cable box shown on sheet E7 detail B is not shown on either site electrical plan is this detail part of the project?
 - a. Pump cable box shall be installed at both Giovanni and Madrone Lift Stations.

8. Section 16010 2.03 E 3 says locomotive cable is required for the generator cables. As the generators are existing will any locomotive cable be required?
 - a. New generator (locomotive) cable shall be required between replaced automatic transfer switch and generator.

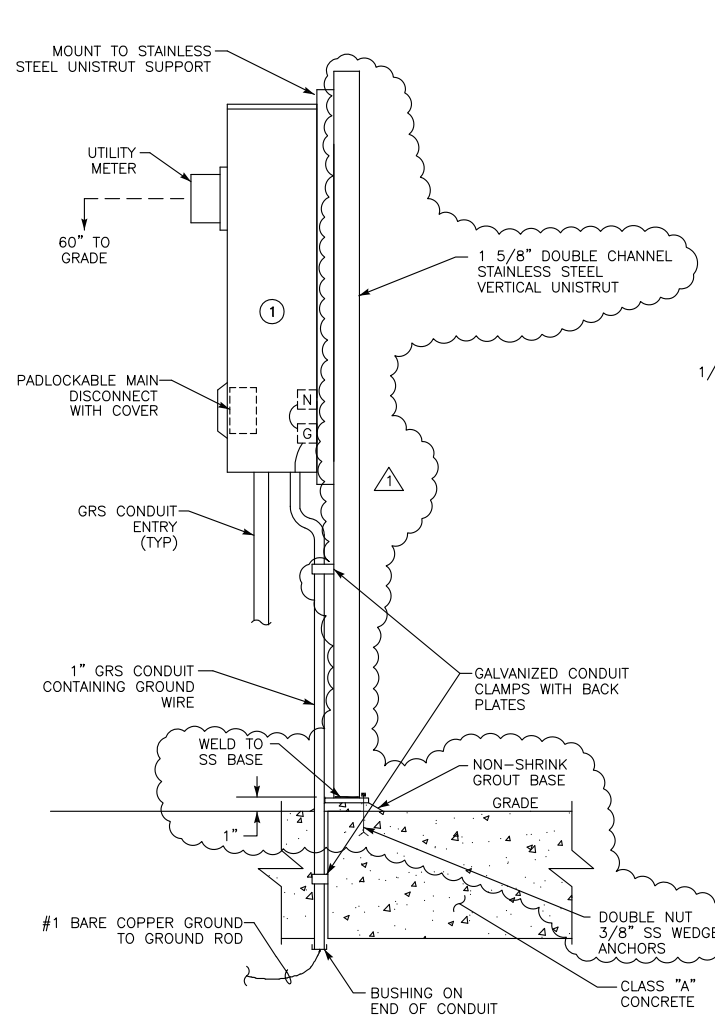
9. Section 16605 3.04 call for Arc Flash training. It will be very expensive to get a certified Arc flash trainer to come to Placerville for this small project. Since this is existing equipment that is being replaced there will be no new hazards. Can this training be waived?
 - a. Arc Flash training of City staff shall be required.

ATTACHMENT 1 – Plan Modifications

- Sheet E7 – Typical Electrical Detail No. 2

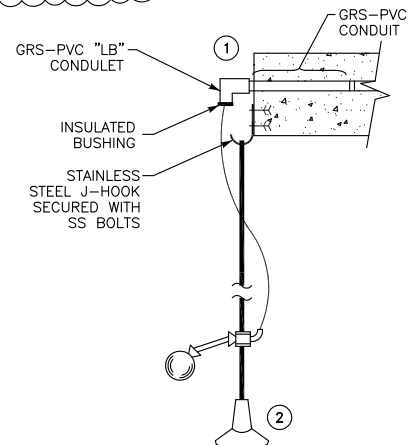
Contractors are required to base their bid on the plans, specifications and any issued addenda. To do otherwise shall be at the contractor's own risk.

END OF ADDENDUM NO. 4



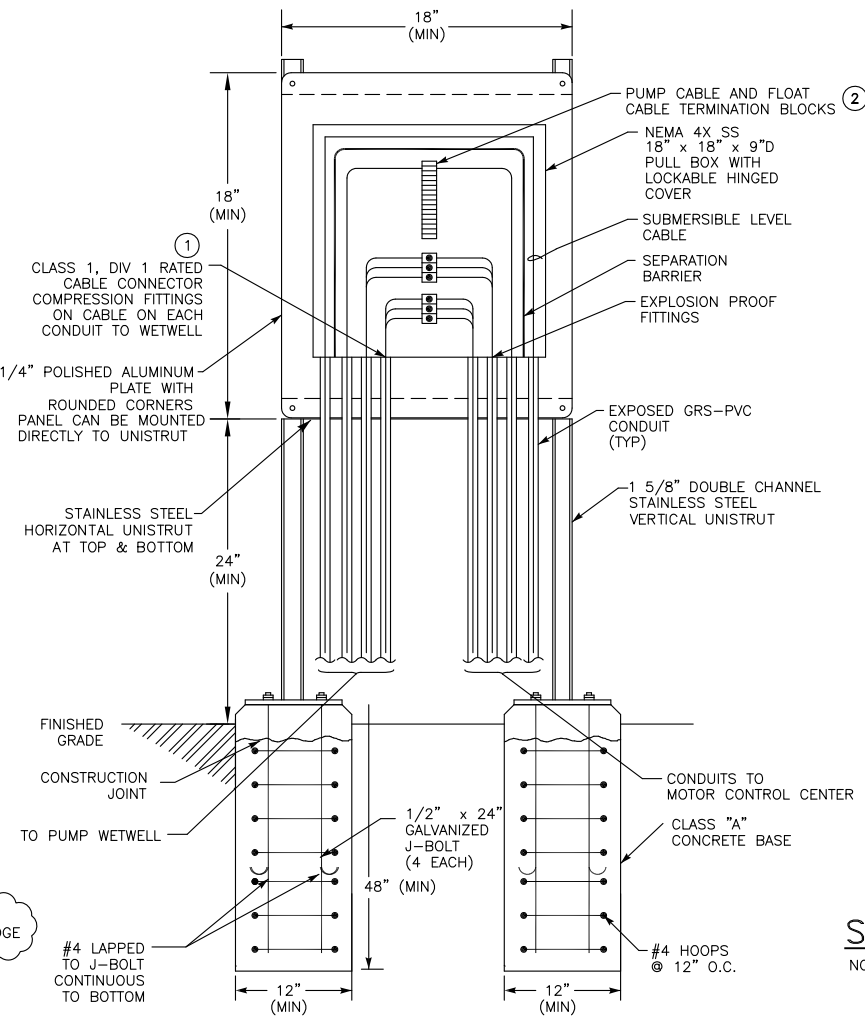
METER/MAIN DISCONNECT (A) (E7)
NOT TO SCALE
DETAIL

NOTES: (1) PAINT ENCLOSURE, SUPPORT & ALL CONDUITS TO MATCH COLOR OF PANEL.



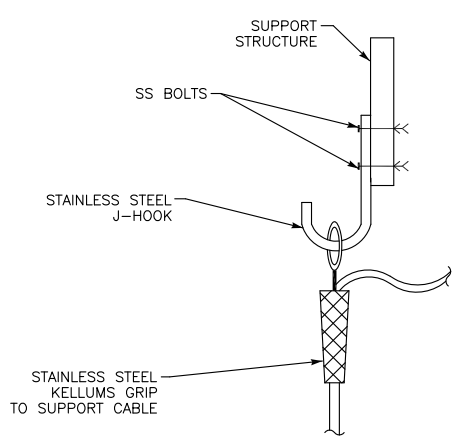
FLOAT SWITCH CABLE (E) (E7)
NOT TO SCALE
DETAIL

NOTE: (1) CONDUIT TO ENTER THROUGH SIDE OF WETWELL ACCESS OPENING.
(2) LEVEL SWITCH TO BE SUSPENDED WITH STAINLESS STEEL CABLE/WEIGHT MOUNTING KIT. CONSOLIDATED ELECTRIC OR APPROVED EQUAL.

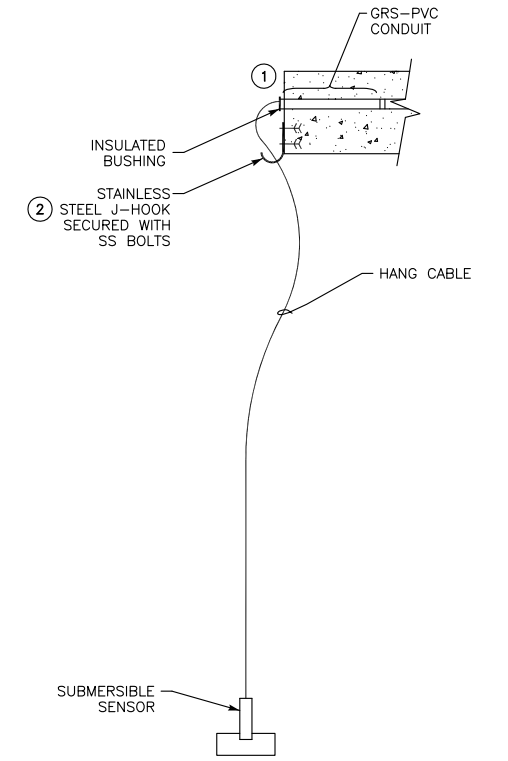


PUMP CABLE BOX (B) (E7)
NOT TO SCALE
DETAIL

NOTES: (1) HUBBELL CORROSION - RESISTANT STRAIGHT NYLON CONNECTORS, MODEL SHC SERIES.
(2) ADD TERMINAL BLOCKS AS REQUIRED.

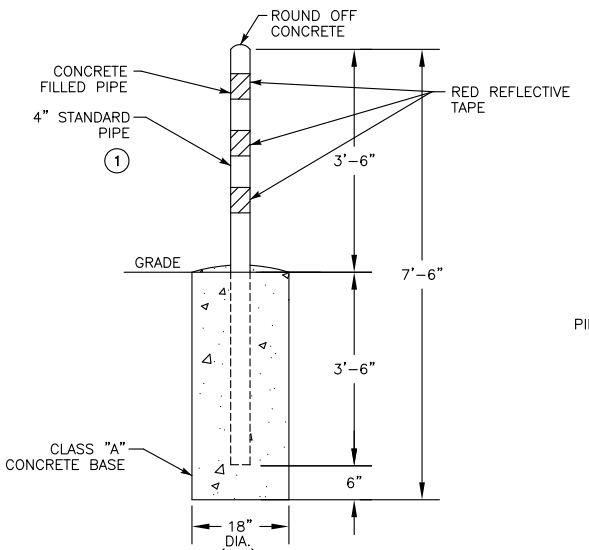


CABLE SUPPORT (F) (E7)
NOT TO SCALE
DETAIL



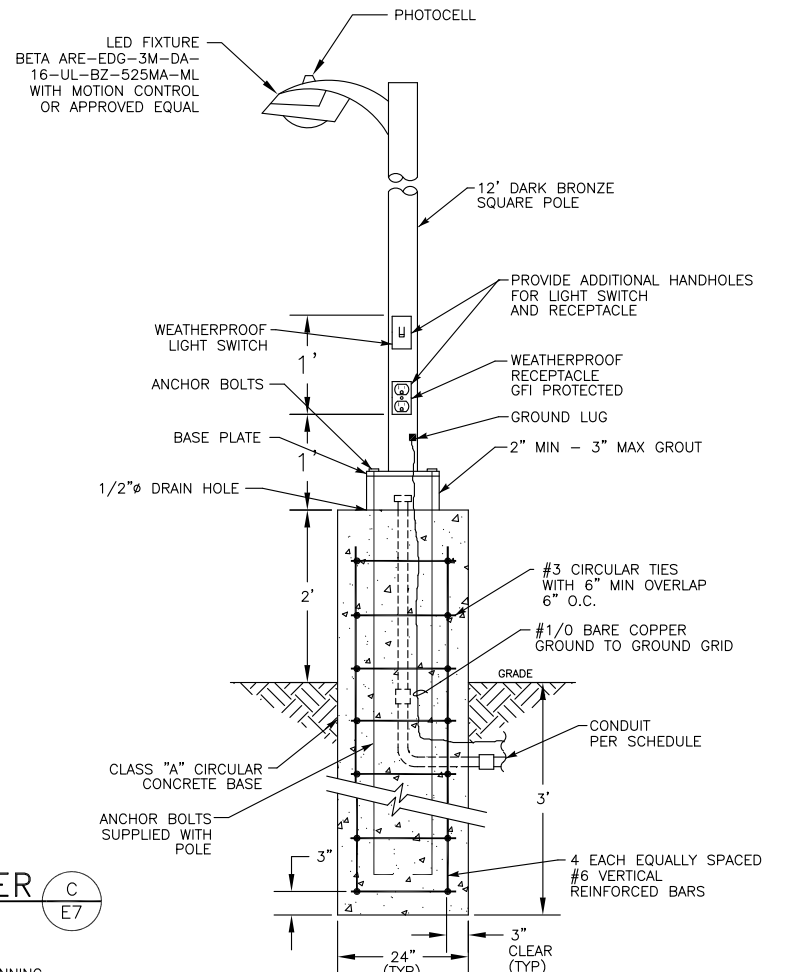
SUBMERSIBLE LEVEL TRANSMITTER (C) (E7)
NOT TO SCALE
DETAIL

NOTE: (1) CONDUIT TO ENTER THROUGH SIDE OF WETWELL ACCESS OPENING.
(2) PROVIDE USA BLUE BOOK MC-47715 HOOK MOUNT BRACKET.

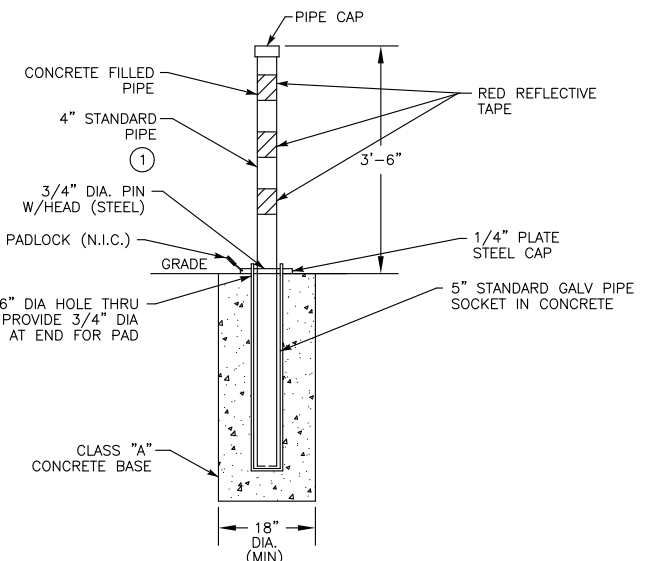


GUARD POST (G) (E6)
NOT TO SCALE
DETAIL

NOTE: (1) GUARD POSTS SHALL BE PAINTED YELLOW TO PREVENT CORROSION.



AREA LIGHT (D) (E7)
NOT TO SCALE
DETAIL



REMOVABLE GUARD POST (H) (E6)
NOT TO SCALE
DETAIL

NOTE: (1) GUARD POSTS SHALL BE PAINTED YELLOW TO PREVENT CORROSION.

Z:\ACADDWG\2015\1508H1508HE007.DWG



© SEPTEMBER 2015
ATEEM ENGINEERING
ALL RIGHTS RESERVED

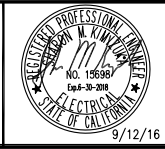
REV	DATE	BY	DESCRIPTION
10/17	SMK	ADDENDUM 04	

SCALE:	WARNING
NONE	0 1/2 1
	IF THIS BAR DOES NOT MEASURE 1" THEN DRAWING IS NOT TO SCALE.

DESIGNED X. LI
DRAWN Z. VOGLER
CHECKED S. KIMIZUKA

DOMENICHELLI & ASSOCIATES
1101 Investment Blvd, Suite 115
El Dorado Hills, CA 95762
Ph: (916) 933-1997
Fax: (916) 933-4778

CITY OF PLACERVILLE
3101 CENTER STREET
PLACERVILLE, CA 95667
PHONE: (530) 642-5250



GIOVANNI & MADRONE SEWER LIFT STATIONS REHABILITATION
**TYPICAL ELECTRICAL
DETAIL NO.2**