



CITY OF PLACERVILLE, CALIFORNIA
DEVELOPMENT SERVICES DEPARTMENT- ENGINEERING DIVISION

ADDENDUM

DATE: 10/12/15
PROJECT: BROADWAY CROSSWALKS IMPROVEMENT PROJECT
CONTRACT No: 41506
BID DATE: 10/27/15
ADDENDUM No: 1

NOTICE TO ALL CONTRACTORS SUBMITTING BIDS AND TO ALL PLANHOLDERS:

You are hereby notified of the following changes, clarifications, or modifications to the contract documents. This addendum shall supersede the original contract documents and subsequent addenda. Wherein this addendum contradicts the original contract documents and previous addenda, this addendum shall take precedence. All other conditions shall remain unchanged. The change(s) specified below shall become a legal part of the original contract documents.

A: CHANGES AND/OR CLARIFICATIONS TO THE NOTICE TO BIDDERS:

1. Bid opening revised to **Tuesday, October 27, 2015; 2:00 p.m.** Bids will be received by the **City Clerk (or designated representative) at City Hall, who will receive at:**
3rd Floor Engineering Division
3101 Center Street, Placerville, CA 95667
(530) 642-5250
2. Units of Measurement on the bid item list updated to match the plan sheets

B: CHANGES AND/ OR CLARIFICATIONS TO THE SPECIFICATIONS

1. Added Section 15-2.09E, Relocate Roadside Sign (Beacon Conflict)
2. Added language to section 20-5.04B
3. Added language to Section 20-5.04C
4. Added language to Section 20-5.04D

C: CHANGES AND/ OR CLARIFICATIONS TO THE PLANS:

1. Plan Sheet 4 updated to clarify the work to be done with the Bid Item Relocate Roadside Sign (Beacon Conflict).

Contractors are required to base their bid on the plans, specifications and any issued addenda. To do otherwise shall be at the contractors own risk.

Contractors shall note the acknowledgement of this and all other addenda in the appropriate space provided on the Contract Proposal "Bidder Acknowledgements" page.

This addendum has been prepared under the direction of the following registered Civil Engineer:



Rebecca Neilon

10/9/15

Rebecca Neilon, PE

Date

Released by:

Rebecca Neves

10/12/15

Rebecca Neves, PE

Date

City Engineer, City of Placerville

Acknowledgment:

I have reviewed the materials included in Addendum 1 to the Broadway Crosswalks Improvement Project and understand the information provided is included as part of the Special Provisions, Proposal and Contract.

By: _____

Bidder's Signature

Date

Bidder's Name (printed)

Name of Company

BID ITEM LIST

ITEM NO.	ITEM DESCRIPTION	UNIT OF MEASURE	ESTIMATED QUANTITY	UNIT PRICE (IN FIGURES)	ITEM TOTAL (IN FIGURES)
1	CONSTRUCTION AREA SIGNS	LS	1		
2	TRAFFIC CONTROL SYSTEM	LS	1		
3	JOB SITE MANAGEMENT	LS	1		
4	TEMPORARY CONCRETE WASHOUT	EA	1		
5	TEMPORARY DRAINAGE INLET PROTECTION	EA	10		
6	REMOVE PAINTED TRAFFIC STRIPE	LF	117		
7	REMOVE PAINTED PAVEMENT MARKING	SF	2757		
8	REMOVE ASPHALT CONCRETE PAVEMENT	SF	1382		
9	REMOVE ASPHALT CONCRETE DIKE	LF	38		
10	REMOVE CURB	LF	175		
11	REMOVE SIDEWALK, CURB AND GUTTER	LF	471		
12	REMOVE CONCRETE SIDEWALK	LF	12		
13	RELOCATE ROADSIDE SIGN (ONE POST)	EA	4		
14	RELOCATE ROADSIDE SIGN (BEACON CONFLICT)	EA	1		
15	CLEARING AND GRUBBING	LS	1		
16	DEVELOP WATER SUPPLY	LS	1		
17	ROADWAY EXCAVATION	CY	150		
18	6" PIPE BOLLARD	EA	1		
19	TRASH RECEPTACLE (INSTALLATION)	EA	1		
20	BUS SHELTER (INSTALLATION)	EA	1		
21	SOLAR POWERED LIGHT (BUS STOP) INSTALLATION	LS	1		

ITEM NO.	ITEM DESCRIPTION	UNIT OF MEASURE	ESTIMATED QUANTITY	UNIT PRICE (IN FIGURES)	ITEM TOTAL (IN FIGURES)
22	REPAIR IRRIGATION	LS	1		
23	CLASS 2 AGGREGATE BASE	CY	75		
24	HOT MIX ASPHALT (TYPE A)	TON	86		
25	ROADSIDE SIGN (ONE POST)	EA	57		
26	DETECTABLE WARNING SURFACE (SET IN CONCRETE)	SF	192		
27	DETECTABLE WARNING SURFACE (GLUE DOWN)	SF	15		
28	MINOR CONCRETE (CURB)	CY	12		
29	MINOR CONCRETE (CURB AND GUTTER)	CY	29		
30	MINOR CONCRETE (SIDEWALK)	CY	29		
31	MINOR CONCRETE (MISCELLANEOUS CONSTRUCTION)(BUS PAD)	CY	16		
32	PARKING BUMPER (PRECAST CONCRETE)	EA	7		
33	RESET STONE MARKER (ADA RAMP)	EA	4		
34	4" THERMOPLASTIC TRAFFIC STRIPE	LF	145		
35	6" THERMOPLASTIC TRAFFIC STRIPE	LF	1697		
36	8" THERMOPLASTIC TRAFFIC STRIPE	LF	65		
37	THERMOPLASTIC PAVEMENT MARKING	SF	1937		
38	FLASHING BEACON SYSTEM (RRFB)(LOCATIONS 1,2,3)	LS	1		
39	MOBILIZATION	LS	1		

TOTAL BID :

Add section 15-2.09E

15-2.09E Relocate Roadside Signs (Beacon Conflict)

Section 15-209E includes specifications for Relocate Roadside Sign (Beacon Conflict)

15-2.09E (2) Materials

The reinforcement must comply with section 52. Minor concrete must comply with section 90. Excavation must comply with section 19.

15-2.09E (3) Construction

Where shown relocate roadside sign (beacon conflict). New sign foundation details are provided on the project plans. You are responsible for damage that occurs to the Commercial Business Sign for "The Paint Spot" until final approval by the City.

15-2.09E (4) Payment

Not Used.

Add to section 20-5.04B:

20-5.04B(2) Materials

You are responsible for damage that occurs to the Trash Receptacle between the time it is picked up from the City Maintenance yard until final approval by El Dorado Transit.

Add to section 20-5.04C:

20-5.04C(2) Materials

You are responsible for damage that occurs to the Bus Shelter between the time it is picked up from the City Maintenance yard until final approval by El Dorado Transit.

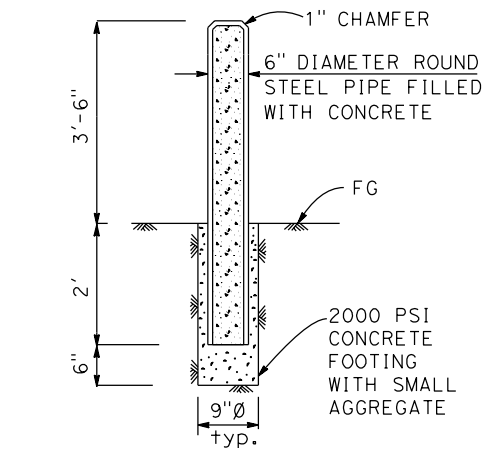
Add to section 20-5.04D:

20-5.04D(2) Materials

You are responsible for damage that occurs to the Solar Powered Light between the time it is picked up from the City Maintenance yard until final approval by El Dorado Transit.

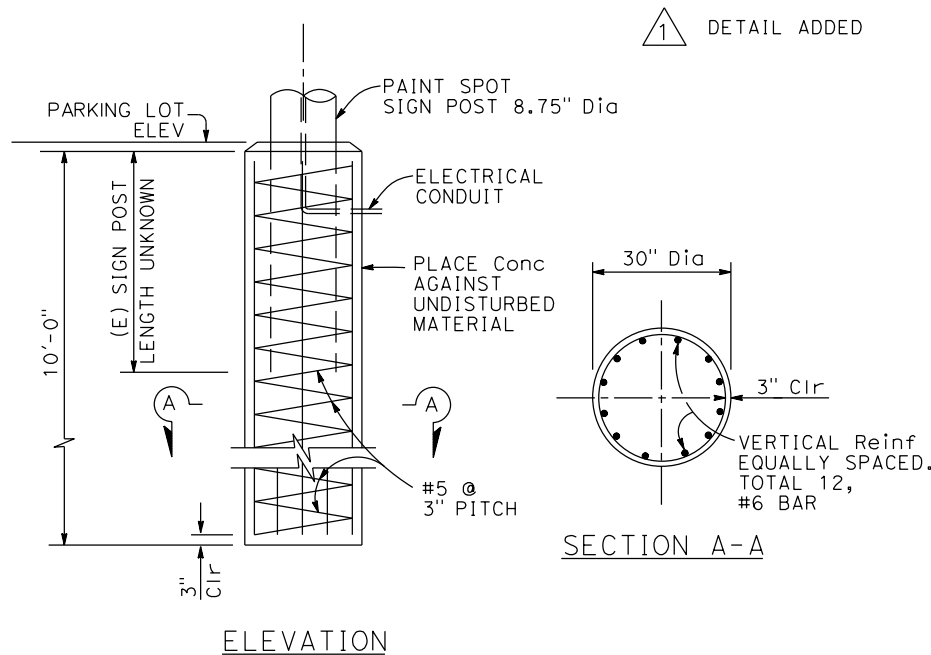
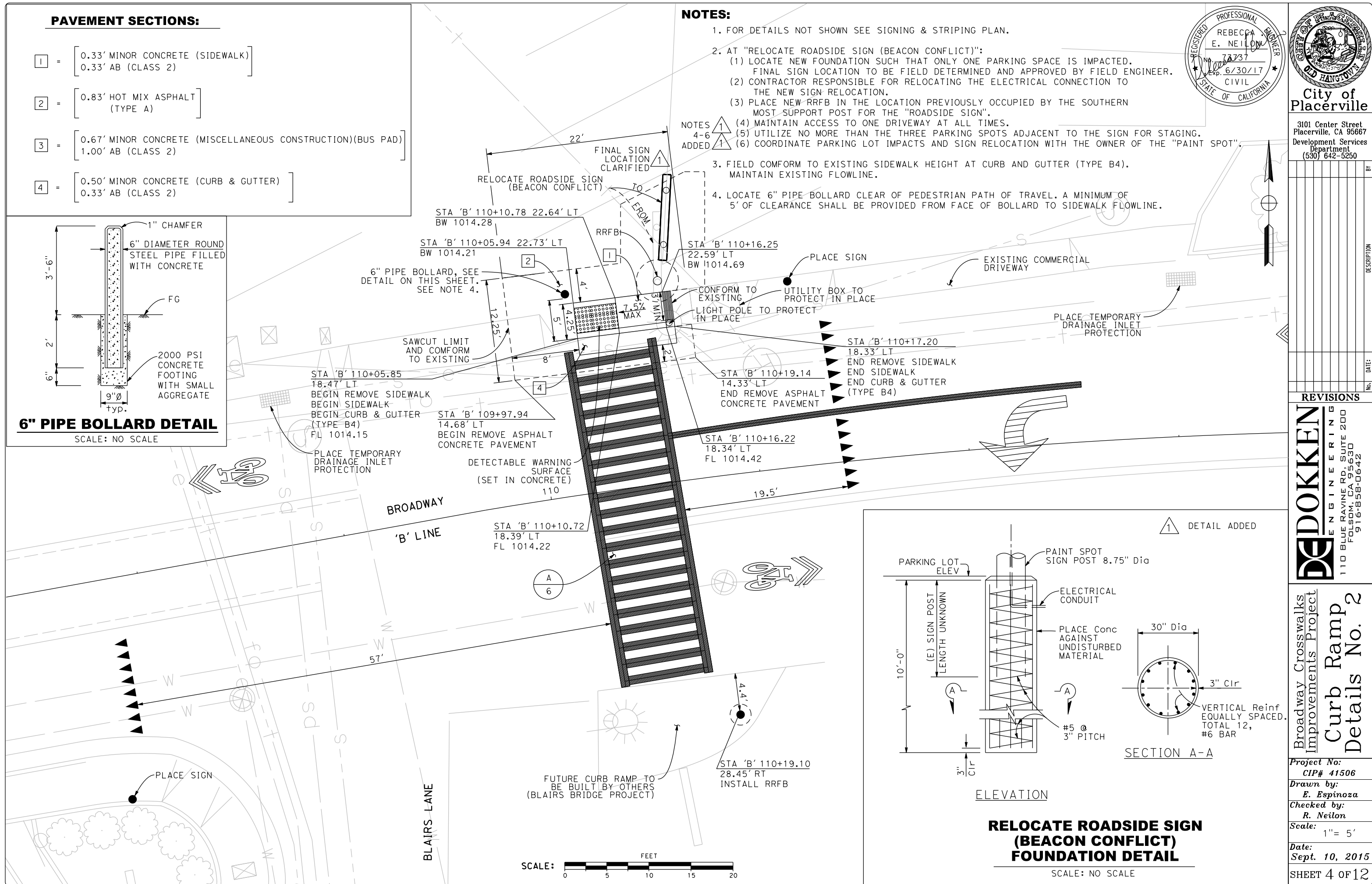
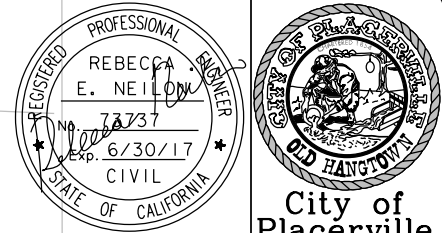
PAVEMENT SECTIONS:

- 1 = [0.33' MINOR CONCRETE (SIDEWALK)
0.33' AB (CLASS 2)]
- 2 = [0.83' HOT MIX ASPHALT
(TYPE A)]
- 3 = [0.67' MINOR CONCRETE (MISCELLANEOUS CONSTRUCTION)(BUS PAD)
1.00' AB (CLASS 2)]
- 4 = [0.50' MINOR CONCRETE (CURB & GUTTER)
0.33' AB (CLASS 2)]



NOTES:

1. FOR DETAILS NOT SHOWN SEE SIGNING & STRIPING PLAN.
2. AT "RELOCATE ROADSIDE SIGN (BEACON CONFLICT)":
 - (1) LOCATE NEW FOUNDATION SUCH THAT ONLY ONE PARKING SPACE IS IMPACTED. FINAL SIGN LOCATION TO BE FIELD DETERMINED AND APPROVED BY FIELD ENGINEER.
 - (2) CONTRACTOR RESPONSIBLE FOR RELOCATING THE ELECTRICAL CONNECTION TO THE NEW SIGN RELOCATION.
 - (3) PLACE NEW-RRFB IN THE LOCATION PREVIOUSLY OCCUPIED BY THE SOUTHERN MOST SUPPORT POST FOR THE "ROADSIDE SIGN".
 - (4) MAINTAIN ACCESS TO ONE DRIVEWAY AT ALL TIMES.
 - (5) UTILIZE NO MORE THAN THE THREE PARKING SPOTS ADJACENT TO THE SIGN FOR STAGING.
 - (6) COORDINATE PARKING LOT IMPACTS AND SIGN RELOCATION WITH THE OWNER OF THE "PAINT SPOT".
3. FIELD CONFORM TO EXISTING SIDEWALK HEIGHT AT CURB AND GUTTER (TYPE B4). MAINTAIN EXISTING FLOWLINE.
4. LOCATE 6" PIPE BOLLARD CLEAR OF PEDESTRIAN PATH OF TRAVEL. A MINIMUM OF 5' OF CLEARANCE SHALL BE PROVIDED FROM FACE OF BOLLARD TO SIDEWALK FLOWLINE.



REVISIONS

No.	DATE	DESCRIPTION

DEDOKKEN ENGINEERING
110 BLUE RAVINE RD., SUITE 200
FOLSOM, CA 95630
916-858-0642

Broadway Crosswalks Improvements Project
Curb Ramp Details No. 2

Project No: CIP# 41506
 Drawn by: E. Espinoza
 Checked by: R. Neilon
 Scale: 1" = 5'
 Date: Sept. 10, 2015
 SHEET 4 OF 12