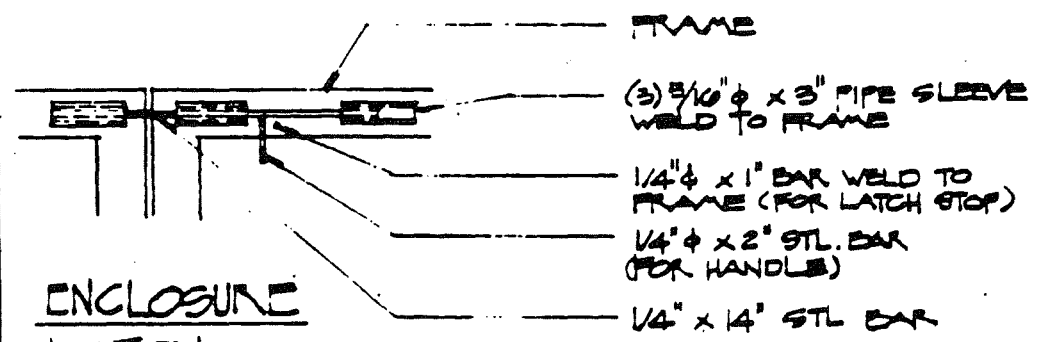
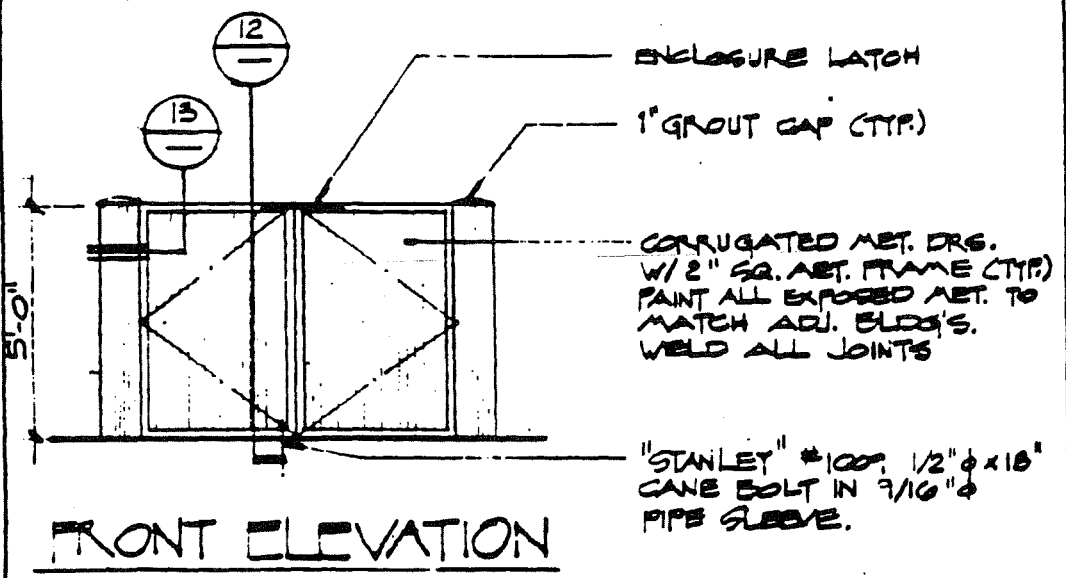


PLAN



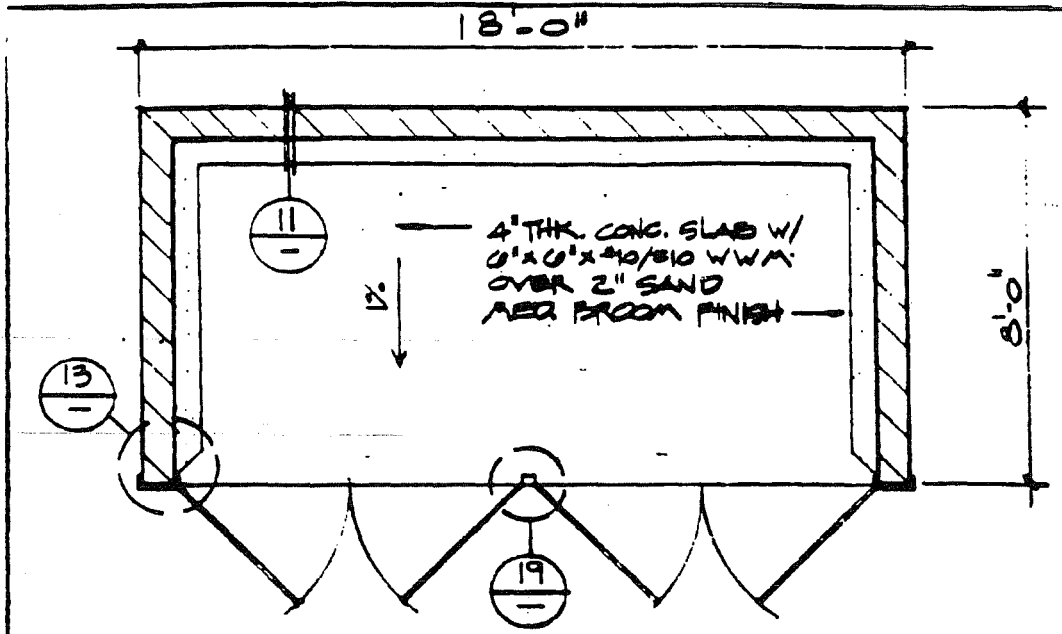
ENCLOSURE
LATCH



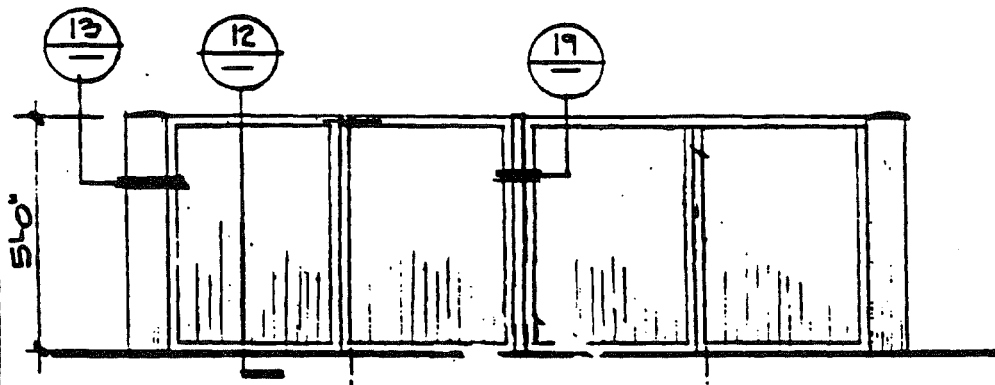
FRONT ELEVATION

TRASH ENCLOSURE

SCALE	9
1/4" = 1'-0"	

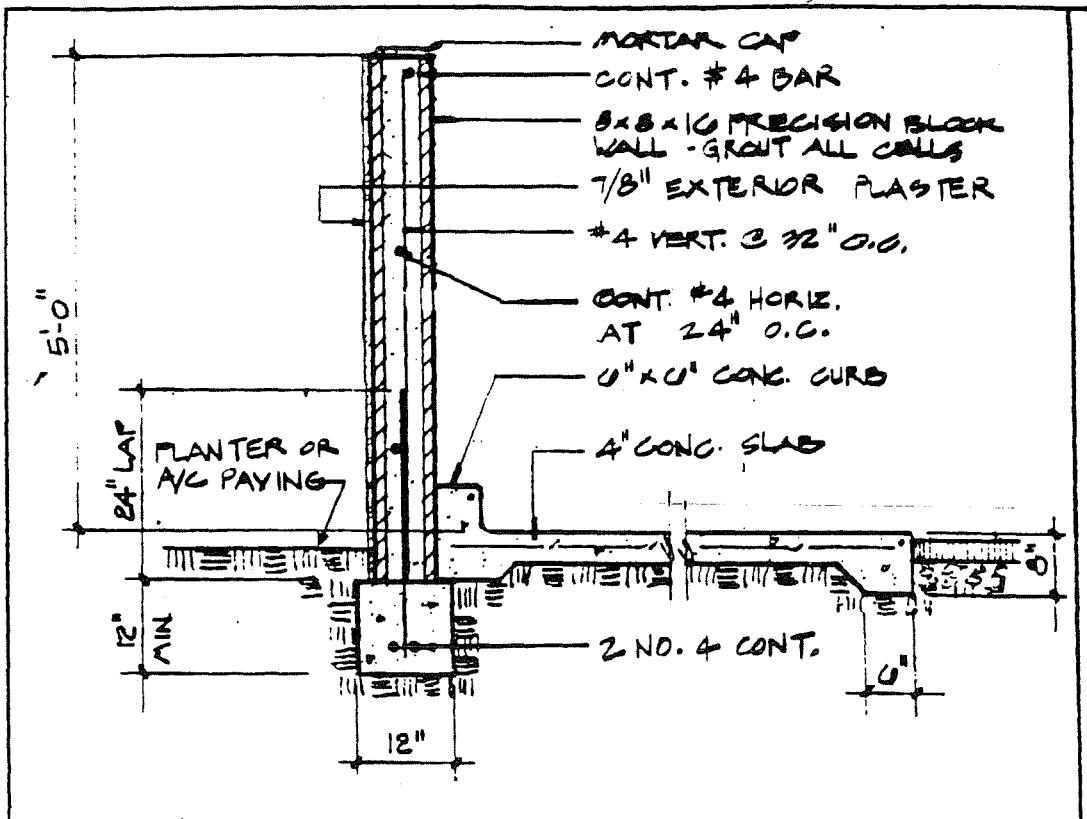


NOTE: FOR APPLICABLE
 NOTES, SEE 9



TRASH ENCLOSURE

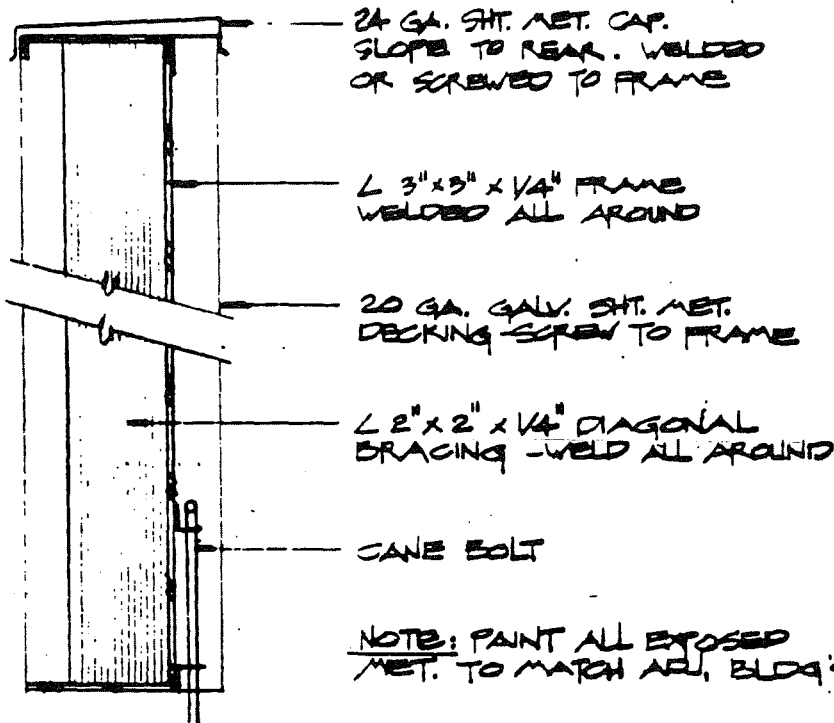
SCALE
 1/4" = 1'-0" **KD**



T.E. WALL SECTION

SCALE

1/2" = 1'-0"



24 GA. SHT. MET. CAP.
SLOPE TO REAR. WELDED
OR SCREWED TO FRAME

L 3" x 3" x 1/4" FRAME
WELDED ALL AROUND

20 GA. GALV. SHT. MET.
DECKING SCREW TO FRAME

L 2" x 2" x 1/4" DIAGONAL
BRACING - WELD ALL AROUND

CANE BOLT

NOTE: PAINT ALL EXPOSED
MET. TO MATCH ADJ. BLDG'S.

T.E. DOOR SECTION

SCALE

3" = 1'-0"



