

CITY OF MCCALL

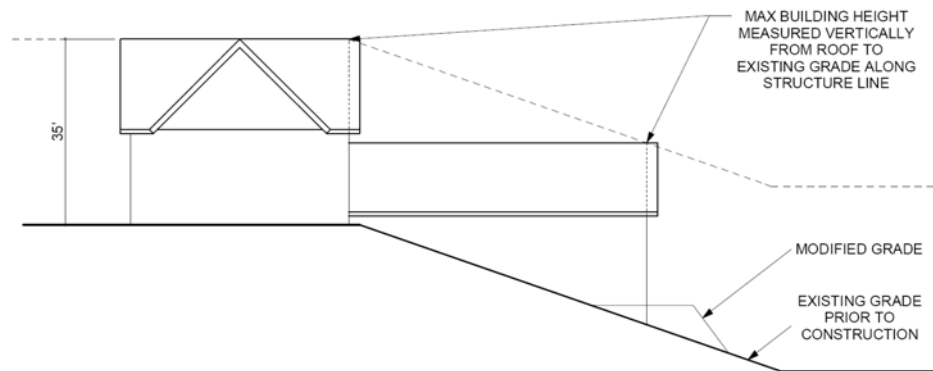
CALCULATING BUILDING HEIGHT

(ORD. NO. 846)

DEFINITION OF BUILDING HEIGHT

Building height is now defined as follows:

Building height shall be measured vertically from any point on a proposed or existing building element to the existing grade prior to construction directly below said point on a proposed or existing building element. (The highest to lowest measurement at any given vertical structure line.)



PROPOSED BUILDING HEIGHT DETERMINATION

Excluded from the height measurement are: Antennas (approved), roof stair access enclosures/projections, cupolas, chimneys (up to ten feet above the highest point of the roof surface), steeples, and spires.

EXPLANATION

This straightforward language removes previous sections addressing “average heights”, “midpoints”, as well as a confusing diagram. The intended result is to create an easily understood definition of building height.